

Upblast Exhausters RPUB Series



Quietaire

RPUB UPBLAST EXHAUSTERS

Features:

- Blades are heavy steel construction and bolted to bracket and hub with locknuts.
- Motors are heavy duty, high efficiency construction; available in totally enclosed, open, two speed, or explosion proof.
- Blades are die formed and precision pitched to insure maximum air movements.
- Available in galvanized or all aluminum housing.
- Painted steel tubing, bearing supports and motor supports are standard.
- Weatherproof construction.
- Neopreme gasket seal is standard.
- Automatic butterfly dampers pivot on steel pins precision fitted to permanently lubricated bushings.
- Sizes 26" through 86".
- Rubber damper stops insure quiet operation.
- Magnetic latches are standard.

Construction:

Corrosion resistant rugged galvanized or aluminum construction for maintenance-free performance for the life of the building. Bearing are heavy duty, designed to handle end thrust and are greased for years of trouble-free service.

*Note, when the roof ventilator is not operating high positive internal pressure may cause dampers to open.

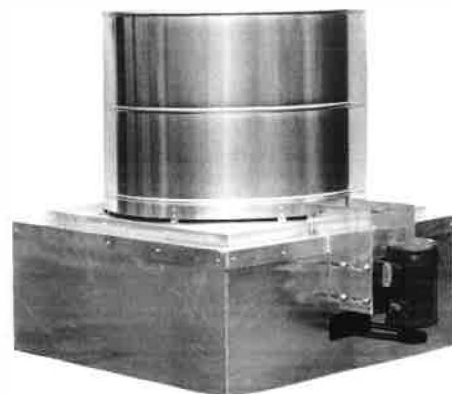
Accessories:

- Special coatings are available for chemical environments.
- Automatic Shutters - Applications quoted on request.
- Disconnect Switch - Switch acts as safety device when unit is being serviced.
- Firestat - Protection when temperature exceeds preset point.
- Automatic Damper Opener - Fusible link operated device for exhausting smoke and heat under extreme conditions.

"Quietaire Corporation certifies that the RPUB belt drive units shown herein is licensed to bear the AMCA Seal. The ratings shown are based on tests and procedures performed in accordance with AMCA Publication 211 and comply with the requirements of the AMCA Certified Ratings Program."



Outside view Belt Drive Model.



Motor out of air stream option.
Motor cover not shown.

Model No.	Rpm	Tip Speed	Static Pressure					Max Bhp
			0	1/10	1/8	1/4	3/8	
RPUB 2650	742	5050	6035	5225	4935			.55
RPUB 2675	850	5786	6915	6230	6040			.82
RPUB26100	935	6364	7610	7000	6825	4925		1.10
RPUB26150	1070	7283	8705	8190	8045	7210		1.64
RPUB26200	1178	8018	9585	9115	9000	8310	6540	2.20
RPUB3275	600	5026	9100	7860	7420			.82
RPUB32100	660	5530	10010	8915	8590			1.09
RPUB32150	756	6333	11470	10540	10275			1.64
RPUB32200	832	6970	12620	11800	11560	10150		2.17
RPUB32300	953	7984	14455	13740	13565	12510	9780	3.30
RPUB38100	530	5268	14065	12408	11940			1.13
RPUB38150	607	6033	16109	14702	14311	11996		1.70
RPUB38200	668	6639	17728	16450	16130	14274		2.28
RPUB38300	760	7554	20169	19046	18765	17213	15322	3.34
RPUB38500	891	8856	23646	22687	22448	21223	19830	5.36
RPUB44150	465	5356	17903	16216	15752	12548		1.69
RPUB44200	510	5874	19636	18108	17706	15393		2.26
RPUB44300	584	6727	22485	21150	20817	19001	16678	3.38
RPUB44500	690	7948	26566	25436	25154	23689	22124	5.59
RPUB44750	782	9007	30108	29111	28862	27617	26252	8.05
RPUB50150	385	5040	22950	20125	19385			1.72
RPUB50200	420	5500	25040	22455	21800	17870		2.28
RPUB50300	484	6336	28860	26625	26055	23065		3.45
RPUB50500	572	7487	34100	32220	31745	29320	26615	5.72
RPUB50750	646	8456	38520	36850	36430	34310	32110	8.15
RPUB56200	348	5100	29150	25650	24730			2.23
RPUB56300	400	5864	33500	30470	29700	25345		3.45
RPUB56500	473	6935	39620	37070	36420	33090	29100	5.73
RPUB56750	540	7917	45235	43000	42440	39590	36600	8.43
RPUB561000	596	8738	49925	47900	47400	44820	42175	11.25
RPUB62200	293	4756	33310	28675	27455			2.23
RPUB62300	335	5438	38080	34060	33030	26850		3.38
RPUB62500	397	6444	45130	41755	40900	36460	30050	5.58
RPUB62750	455	7385	51725	48790	48045	44255	39965	8.44
RPUB621000	500	8116	56840	54165	53500	50090	46540	11.12
RPUB74300	250	4843	48321	41857	40150	25416		3.36
RPUB74500	290	5618	56053	50512	49107	40831	27823	5.31
RPUB74750	337	6528	65137	60393	59184	52965	44889	8.30
RPUB741000	375	7264	72482	68230	67151	61647	55318	11.47
RPUB741500	420	8136	81180	77383	76434	71593	66550	15.95
RPUB86300	192	4322	58251	48357	45455			3.25
RPUB86500	231	5200	70083	61982	59875	43314		5.58
RPUB86750	258	5808	78274	71043	69208	58758	40307	7.93
RPUB861000	291	6551	88286	81901	80274	71908	61086	11.33
RPUB861500	330	7429	100118	94503	93084	85843	77697	16.53
RPUB862000	360	8105	109220	104072	102785	96221	89378	21.31

Note (A): Performance shown is for installation type A-Free inlet, Free outlet.

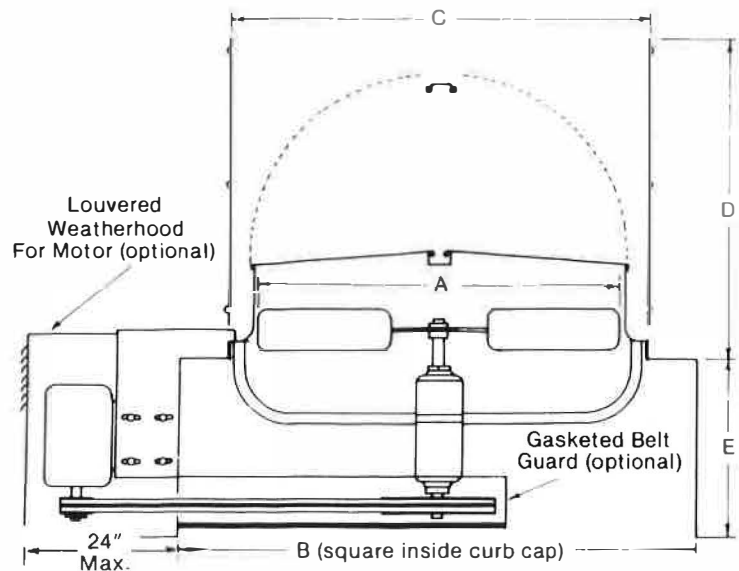
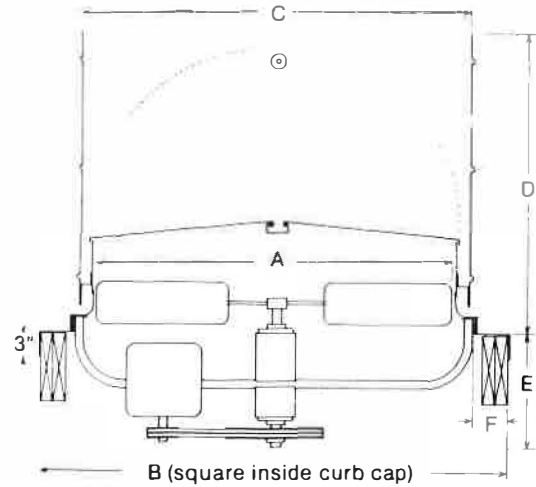
Note (B): Power rating (BHP) does not include drive losses.

Note (C): Performance rating does not include the effects of appurtenances in the airstream.

Series RPUB

Model Number	Dimensions (inches)					
	A	B	C	D	E	F
RPUB-26	26	40	30	20½	16½	4¼
RPUB-32	32	46	36	26½	17½	4½
RPUB-38	38	52	42	32½	18½	4¼
RPUB-44	44	58	48	38½	18½	4¼
RPUB-50	50	64	54	44½	18½	4¼
RPUB-56	56	70	60	50½	19	4¼
RPUB-62	62	76	66	50½	20	4¼
RPUB-74	74	88	78	58½	21	4¼
RPUB-86	86	100	90	63½	21	4¼

Model Number	Dimensions (inches)				
	A	B	C	D	E
RPUB-26-MO	26	40	30	20½	19
RPUB-32-MO	32	46	36	26½	20
RPUB-38-MO	38	52	42	32½	21
RPUB-44-MO	44	58	48	38½	21
RPUB-50-MO	50	64	54	44½	21
RPUB-56-MO	56	70	60	50½	22
RPUB-62-MO	62	76	66	50½	23
RPUB-74-MO	74	88	78	58½	24
RPUB-86-MO	86	100	90	63½	24



Motor out of air stream units are available with belt guards and extended lube lines.

WARRANTY

Quietaire Corporation warrants this equipment to be free from defects in material and workmanship for a period of one year from shipping date. Any units or parts which prove to be defective during warranty period will be replaced at our option when returned to our factory, transportation prepaid. The buyer assumes all risks and liability for the results of use of the products. Quietaire will not warranty items which are defective due to faulty handling, installation, or electrical wiring.

Quietaire will not warranty equipment damaged in transportation. Equipment damaged in transportation should not be accepted from the carrier. The motor is warranted by the motor manufacturer for a period of one year. Should the motor prove defective it must be returned to the nearest authorized repair station. Call Quietaire for location.

Quietaire will not be responsible for any installation, removal, or transportation costs of defective material.

Call Factory For Distributor Nearest You!